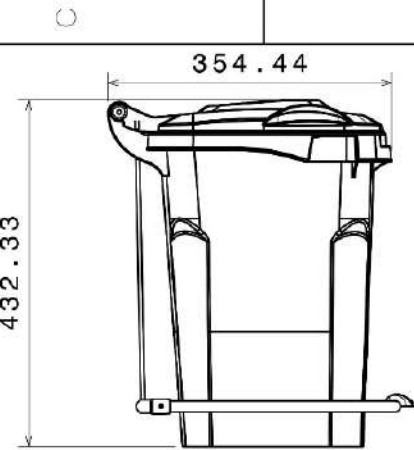
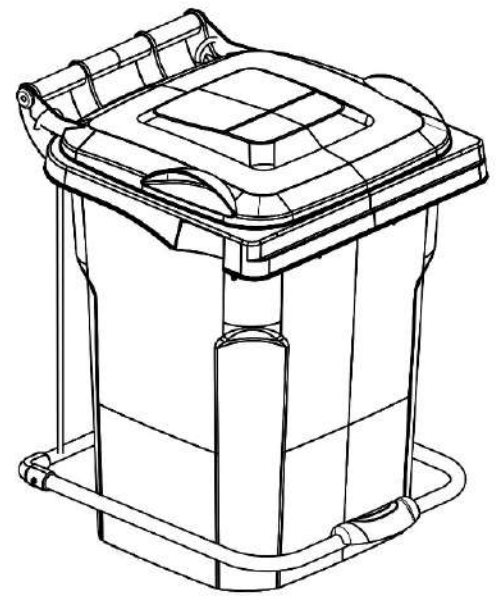


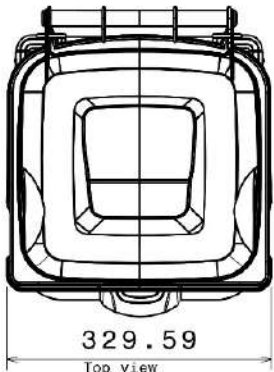
Front view  
Scale: 3:20



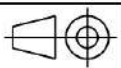
Left view  
Scale: 3:20



Isometric view  
Scale: 1:5



Top view  
Scale: 3:20

DESIGNED BY:	Part number:		
DATE:	20 lit trashbin		
CHECKED BY:	DRAWING NUMBER		
DATE:	1397/--/--	-----	
REVISION:	1.600	WEIGHT (gr)	Material
			
This drawing is our property; it can't be reproduced or communicated without our written agreement.			

D

A